

Protect *Your* Investment

with our *Optional*

Fan Filtration Kit



Applicable for Serial Number 110223 or greater

Improve and protect the investment in your Barato Cart with the NEW SCI FAN FILTRATION KIT. The replaceable filtration media and powerful fan provide the cabinet with clean filtered air to keep your computers, printers, diagnostic equipment clean and cool in the harsh garage or manufacturing environment. Even more important than keeping your hardware operating properly is protecting the data stored on your computer. The Barato Cart is pre-punched and the kit includes all the hardware necessary for a quick and easy installation.

The **SC2010FK** Kit includes:

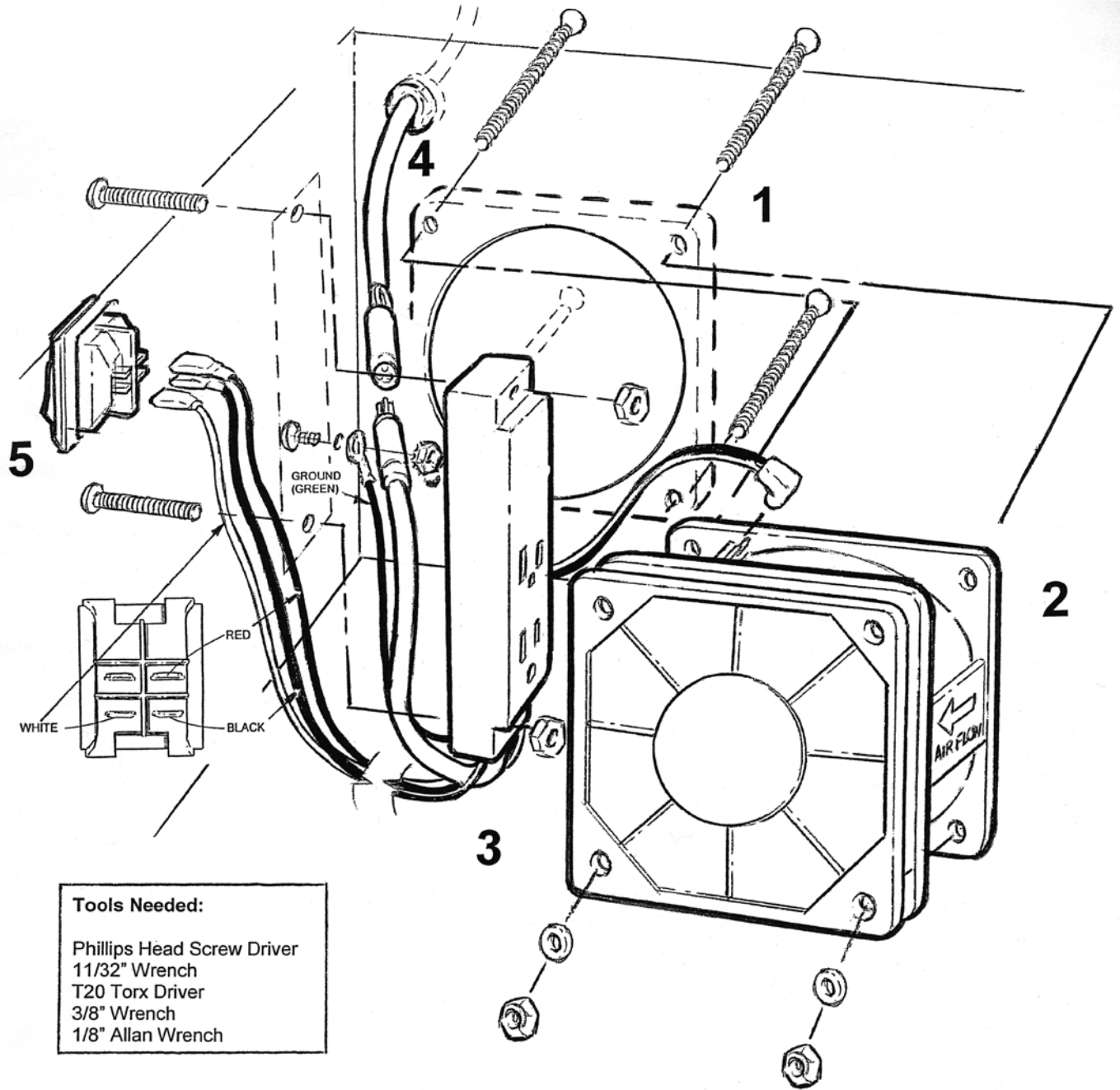
- Master On/Off switch allows you to turn on (or off) all the equipment with a single switch.
- The 15' power cord extends the capability of the workstation in the Service Bay.
- Powerful and quiet 70 CFM fan with replaceable filter membranes.
- Custom power block that provides an outlet for the APC surge protector which is standard on the Barato Cart.
- Easy to install instructions.

P: 800.359.9855

www.spectrumcomposites.com

1090 Doris Road ■ Auburn Hills ■ Michigan 48326

Fan Filtration Kit Installation Instructions



1. Remove the fan/filter guard on the back of the cart discard the bolts you just removed. Using the four #10 x 2 1/2" bolts, supplied, re-install the outside fan filter guard. (11/32" wrench, Phillips screwdriver).
2. Holding the fan filter guard in place, install the fan inside the cabinet with the air flow INTO the cart with the power plug in the UP position. Next, slide the interior fan guard into place and re-install the washers and nuts (4 each).
3. On the left side of the cart (from the front) find the two holes for mounting the power block. Install the power block with the switch and fan wires in the down position (toward the floor) as shown. (1/8" allen wrench, 3/8" wrench). Install the ground wire, one self tapping screw and one star washer with nut (T20 torx & 3/8" wrench). Carefully line up the fan power plug with the mating fan receptacle and install the power cord to the fan. Run the three switch wires through the square hole on the left side of the cart (from the front).
4. Remove the strain nut from the 15' power cord. Slide the three pronged plug through the 1" hole in the back of the cart. Reinstall the strain nut on the inside of the cart to the power cord. Connect the three pronged plug from the power cord to the mating receptacle of the power block.
5. Install the switch wires as shown in the diagram. Carefully hold the switch in your hand so that you are not touching any of the wires. Plug the 15' power cord into a grounded 120 v outlet. Test the switch to make sure you can turn the fan ON and OFF. Turn the switch so the ON position is UP. Unplug the 15' power cord. Push the switch into the square hole in the cart with the ON position of the switch in the UP position.